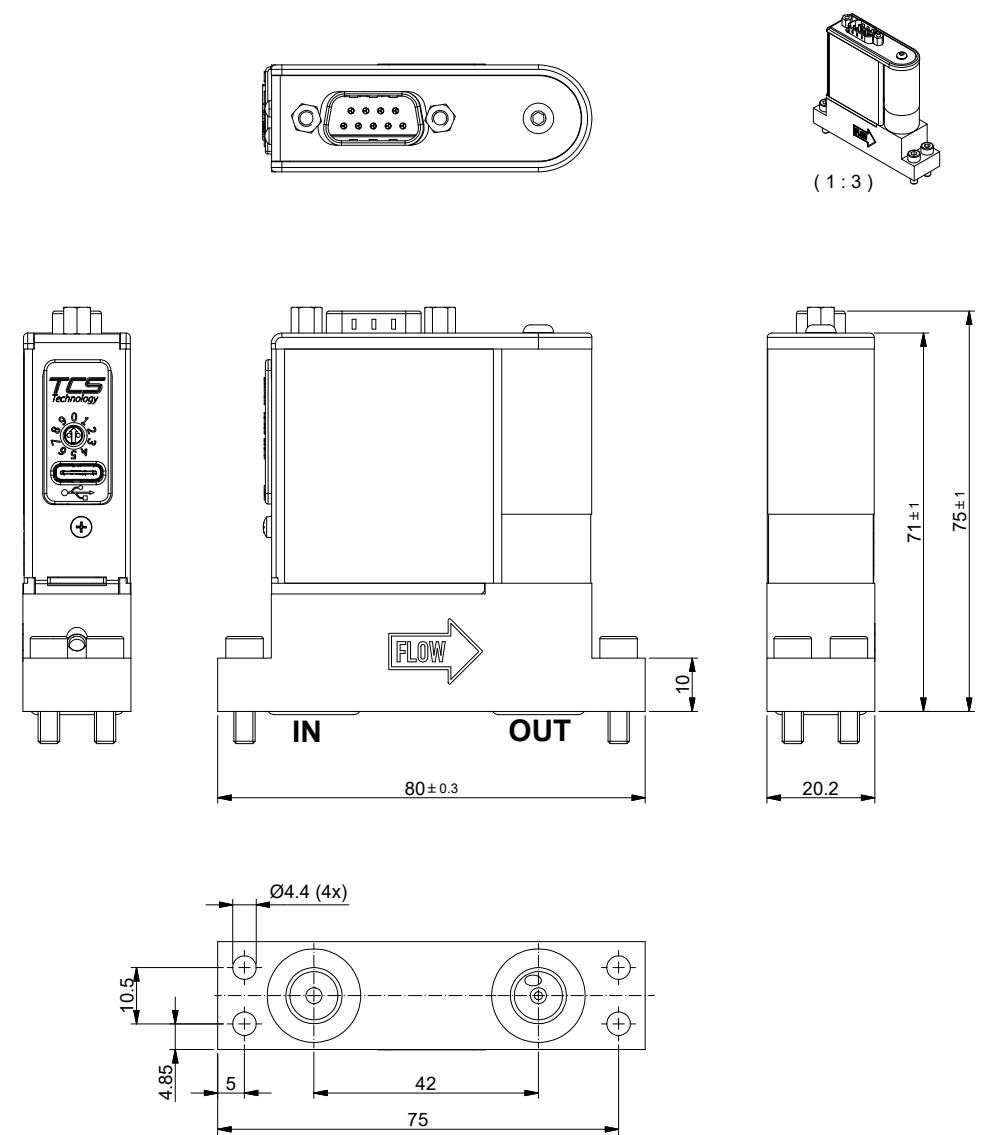
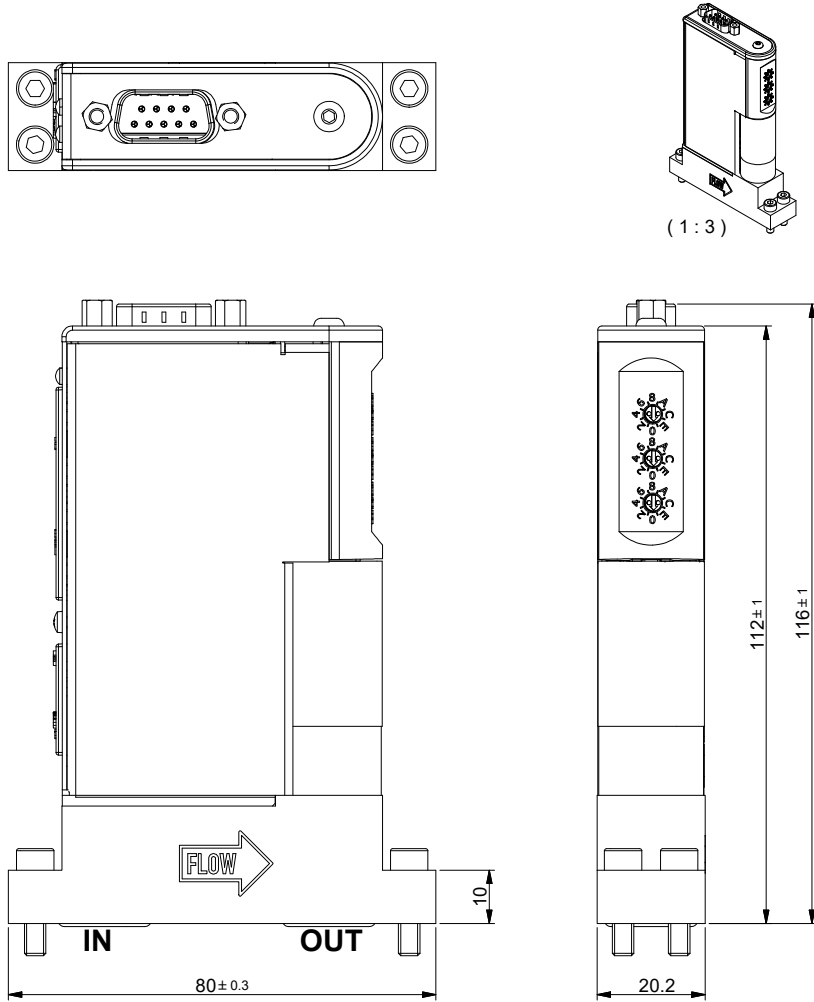
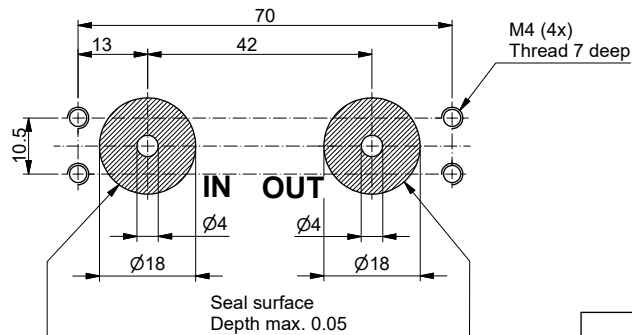


Ethernet based



Mounting pattern




4x screw M4x16 and 2x O-ring AS112 are part of the instrument delivery.

Seal surface
without cross scratch

Dimensions subject to change without notice.

Tolerances ± 0.2 unless otherwise mentioned

Title: Dimensional drawing FLEXI-FLOW Compact FF-a1nD		Drawn by: M.H. Date: 21-09-2023	Revision Description: New drawing	
 www.bronkhorst.com		Rev. by:	Scale: 1:1 A3	
		Date:		
Projection: Third Angle		Checked: V.H. Date: 21-09-2023	Drawing no.: 7.15.285 Rev: A Page: 1 - 1	
Dimensions: Metric (mm)				