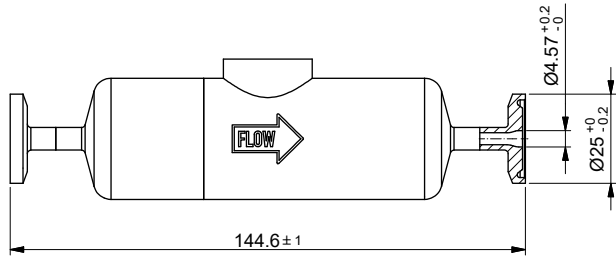
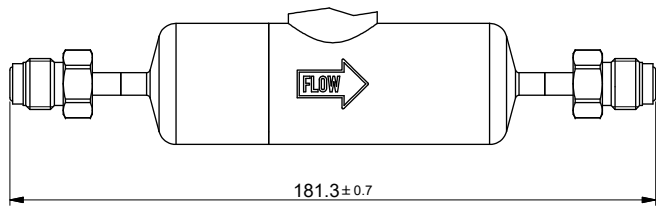


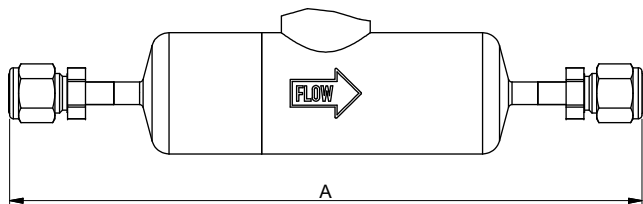
Dimension 1/2" tri-clamp adapter



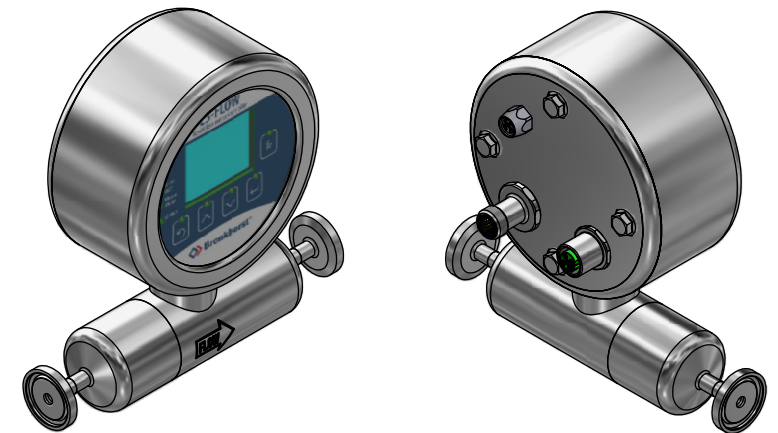
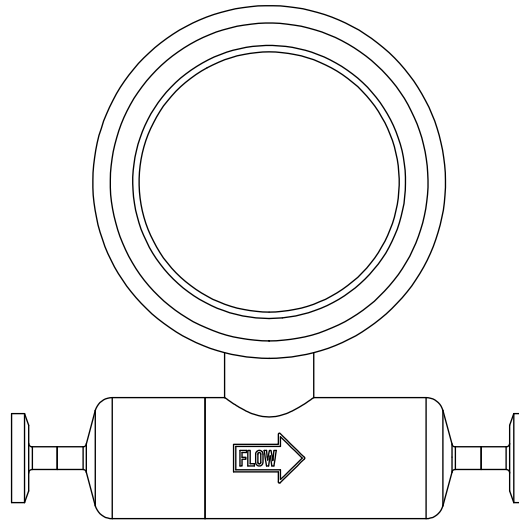
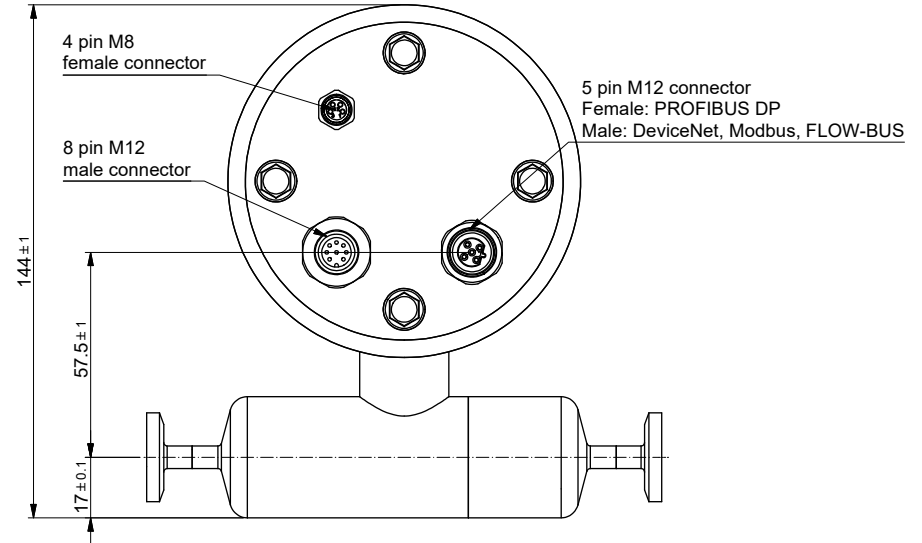
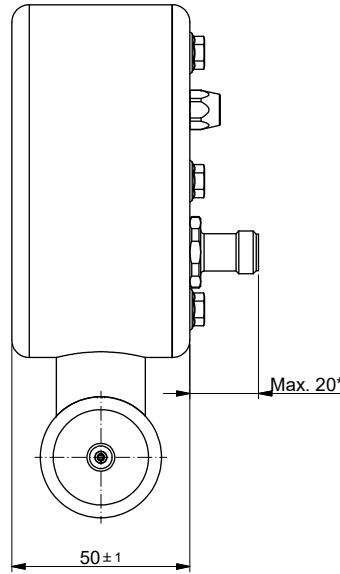
Dimension 1/4" tri-clamp adapter



Dimension 1/4" male face seal adapter




Dimension OD adapters



Type adapter	Dimension (A)
1/8" OD	176.2 mm
1/4" OD	177.8 mm
3mm OD	176.2 mm
6mm OD	177.8 mm
Dimension A is typical fingertight	

Dimensions subject to change without notice.
* Please note that the dimension increases when a contra connector is used.

Title: Dimensional drawing ES-103I / ES-113I		Drawer : M.H.	Revision Description:	
 www.BRONKHORST.COM		Date: 25-07-2016	Drawing updated. Title changed.	
		Checked : C.B./E.E.	Date: 14-11-2017	Rev. by: M.H.
Projection: Third Angle Dimensions: Metric (mm)		Drawing no.: 7.15.194	Rev.: D	A3 Page: 1-1