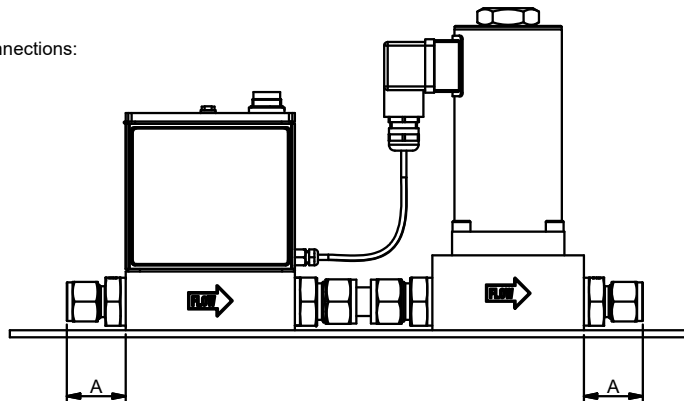

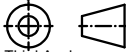


Optional fluidconnections:



Check document 7.14.155 for dimension A.
 Check document 7.14.112 for the height of the multibus instrument.
 Dimensions subject to change without notice.

Tolerances ± 0.2 unless otherwise mentioned

Title: Dimensional drawing MASS-STREAM™ D-6463/004BI		Drawn by: M.H. Date: 13-03-2023		Revision Description:	
 www.BRONKHORST.COM		Rev. by: Date:		Scale: 1 : 3	
		Projection:  Third Angle		Checked: V.H./G.T. Date: 13-03-2023	
Dimensions: Metric (mm)		Drawing no.: 7.14.114		Rev: A	
				Page: 1 - 1	