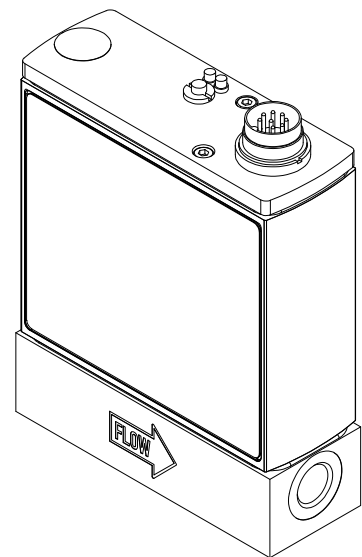
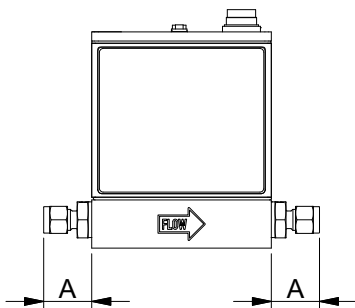

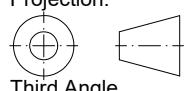


Optional fluidconnections:  
(scale: 1:4)



Check document 7.14.155 for dimension A.  
Check document 7.14.112 for the height of the multibus instrument.  
Dimensions subject to change without notice.

Tolerances  $\pm 0.2$  unless  
otherwise mentioned

Title: <b>Dimensional drawing MASS-STREAM™ D-6441</b>		Drawn by: J.W. Date: 13-03-2023	Revision Description:	
 Projection:  Third Angle Dimensions: Metric (mm)		Rev. by: Date:	Scale: 1 : 2 <b>A4</b>	
		Checked: V.H./G.T. Date: 13-03-2023		