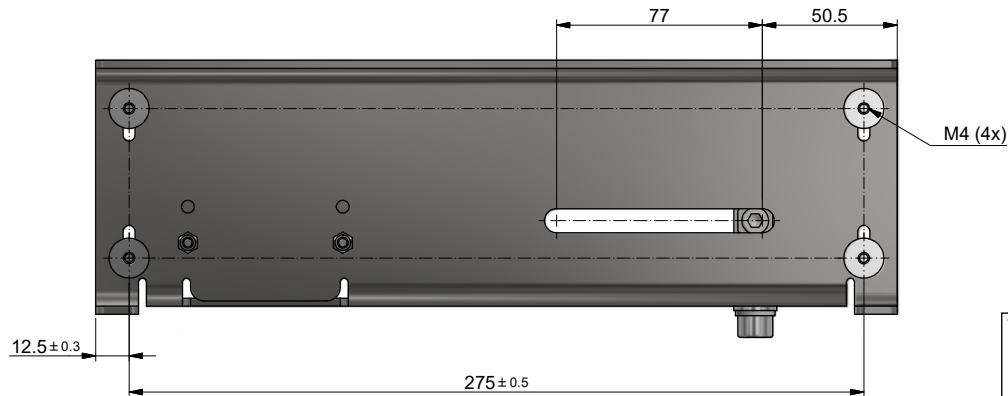
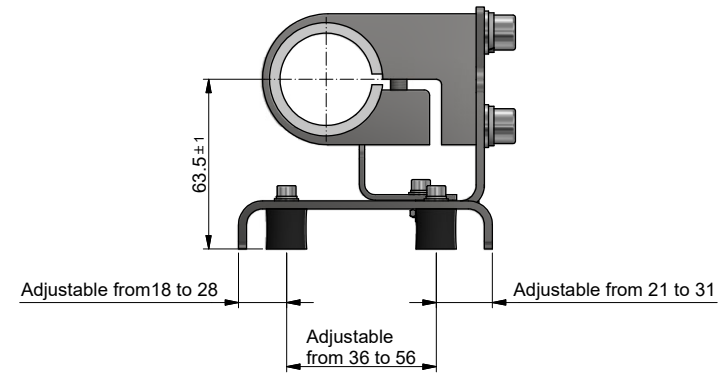
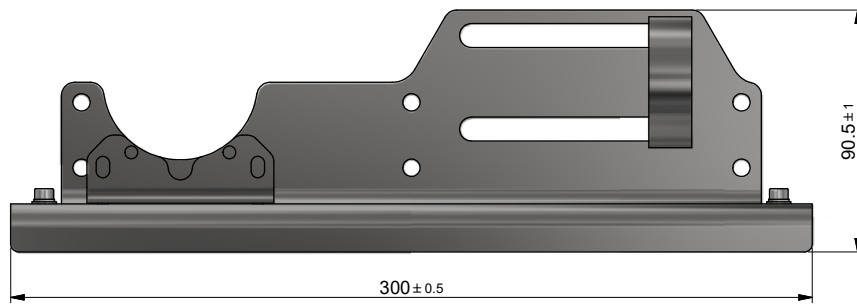




(1:3)



Title: Dimensional drawing support assy ES-FLOW+pump		Drawer : M.H. Date: 24-04-2018		Revision Description: New drawing	
 WWW.BRONKHORST.COM		Projection:  Third Angle		Checked : E.E./R.M. Date: 24-04-2018	
		Dimensions: Metric (mm)		Rev. by: _____ Scale: 1:2 A3 Drawing no.: 7.15.203 Rev.: A Page: 1-1	