


For bus applications height H=max. 18mm
Please note that the height increases when a contra connector is used.

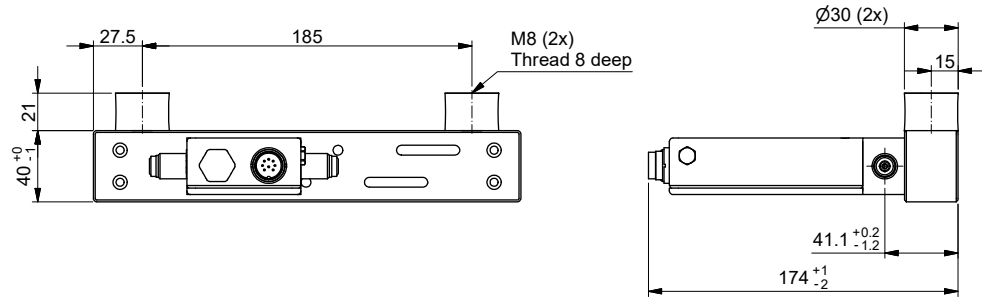
Check document 7.05.672 for dimension A.
Dimensions subject to change without notice.

Tolerances ± 0.2 unless otherwise mentioned

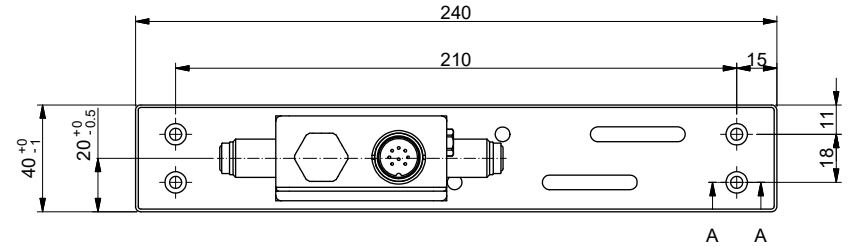
Title: Dimensional drawing M12/M13/M14 VCR		Drawn by: J.H. Date: 16-10-2007	Revision Description: Mass blocks added	
 Bronkhorst® WWW.BRONKHORST.COM		Rev. by: M.d.J. Date: 12-12-2022	Scale: 1 : 1	
		Checked: F.L. Date: 12-12-2022		
Projection: Third Angle Dimensions: Metric (mm)		Drawing no.: 7.05.683		Rev: D
		Page: 1 - 3		

Mass block 2kg

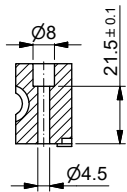
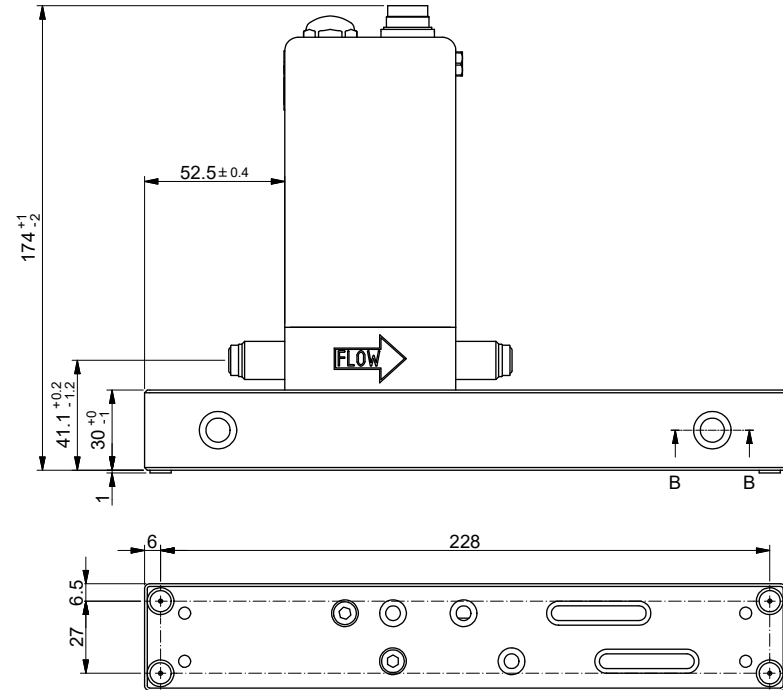
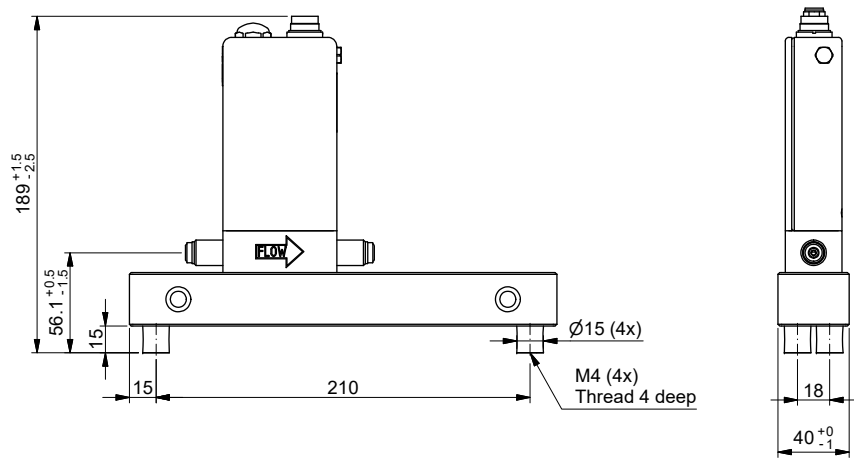
Option 1:
Mass block 2kg with large dampeners for wall mounting



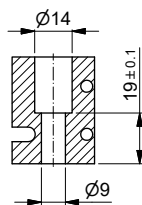
M12/M13/M14 including 2kg massblock with rubber pads



Option 2:
Mass block 2kg with small dampeners



section view A-A (1 : 2)



section view B-B (1 : 2)

Tolerances ± 0.2 unless otherwise mentioned

Title:
Dimensional drawing
M12/M13/M14 VCR


Bronkhorst
WWW.BRONKHORST.COM

Projection:
Third Angle
Dimensions:
Metric (mm)

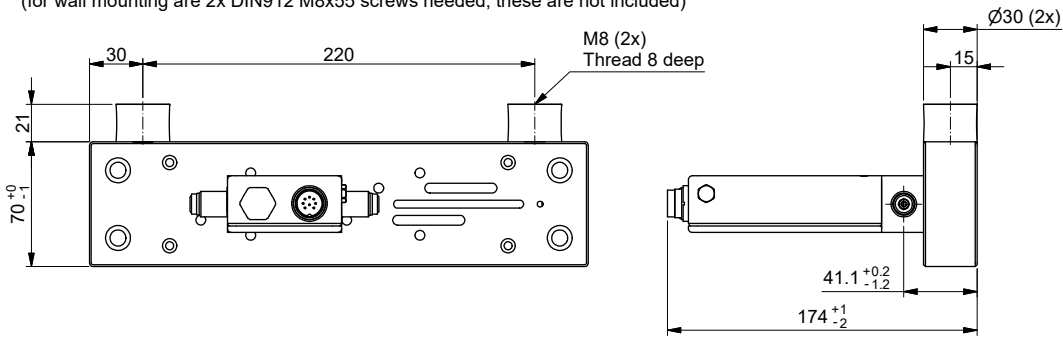
Drawn by: J.H.
Date: 16-10-2007
Rev. by: M.d.J.
Date: 12-12-2022
Checked: F.L.
Date: 12-12-2022

Revision Description:
Mass blocks added

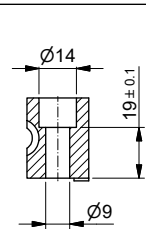
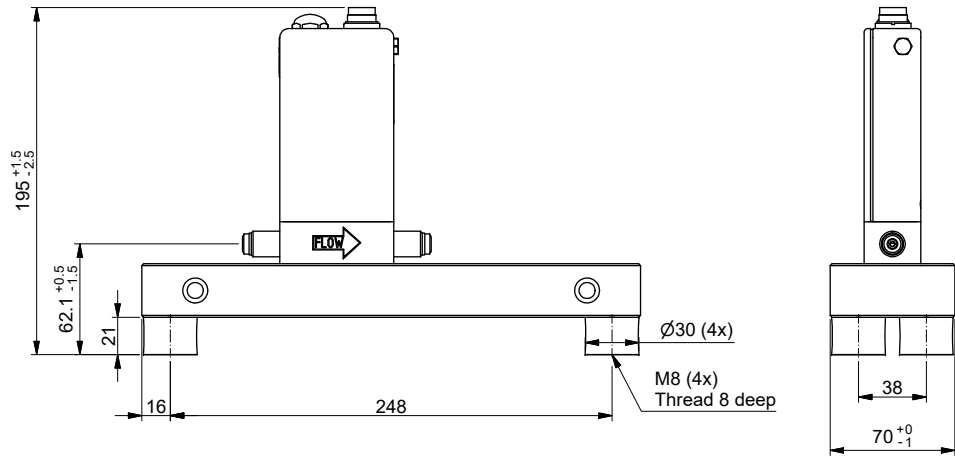
Scale: 1 : 3
Page: A3
Drawing no.: 7.05.683
Rev: D
Page: 2 - 3

Mass block 4kg

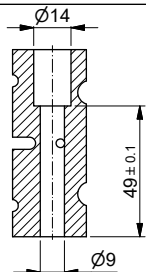
Option 1:
Mass block 4kg with large dampeners for wall mounting
(for wall mounting are 2x DIN912 M8x55 screws needed, these are not included)



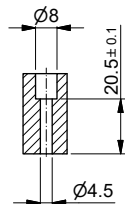
Option 2:
Mass block 4kg with large dampeners



section view
C-C (1 : 2)



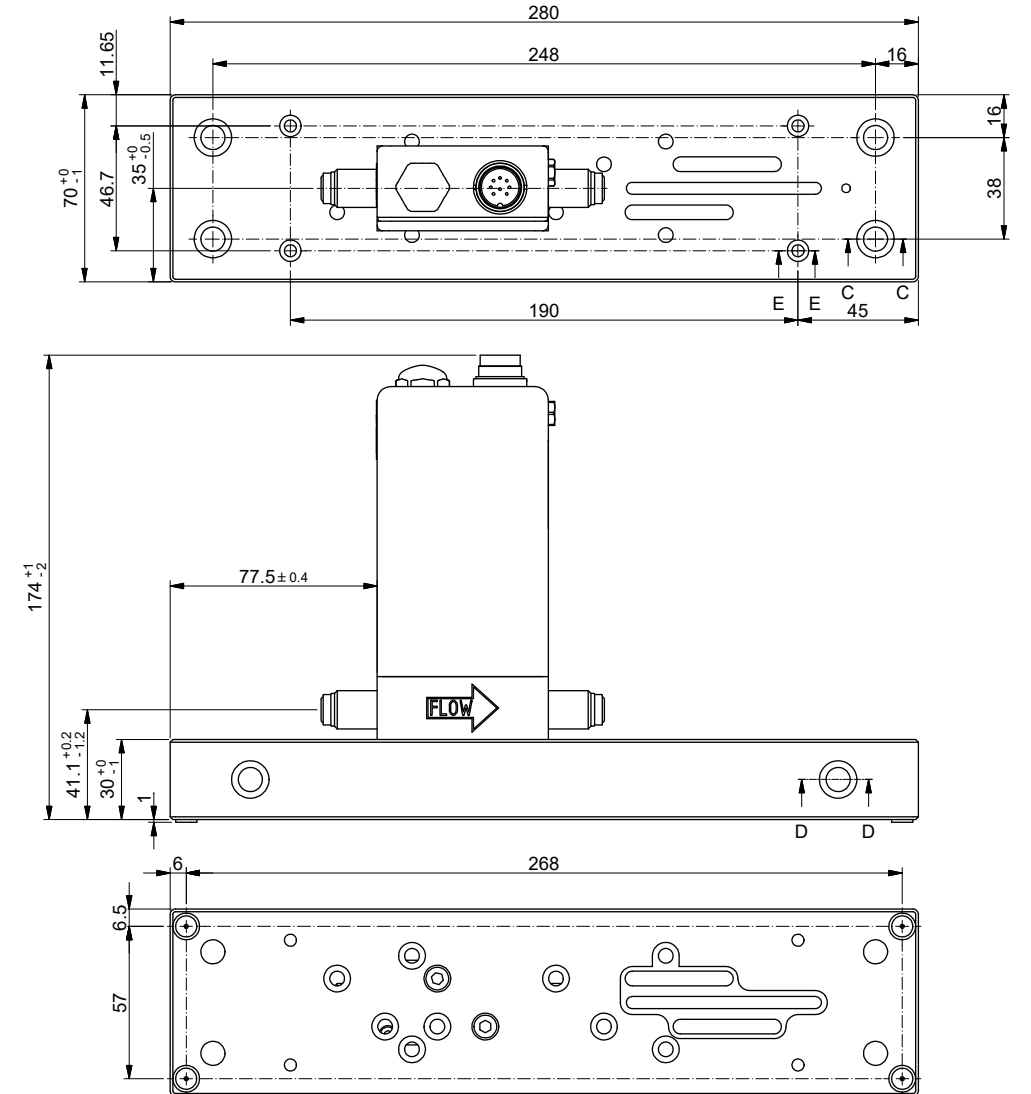
section view
D-D (1 : 2)



section view
E-E (1 : 2)

Tolerances ± 0.2 unless
otherwise mentioned

M12/M13/M14 including 4kg massblock with rubber pads



Title:
Dimensional drawing
M12/M13/M14 VCR


Bronkhorst
WWW.BRONKHORST.COM

Projection:
Third Angle
Dimensions:
Metric (mm)

Drawn by: J.H.
Date: 16-10-2007
Rev. by: M.d.J.
Date: 12-12-2022
Checked: F.L.
Date: 12-12-2022

Revision Description:
Mass blocks added

Scale:
1 : 2
A3

Drawing no.: **7.05.683**

Rev: **D**

Page:
3 - 3