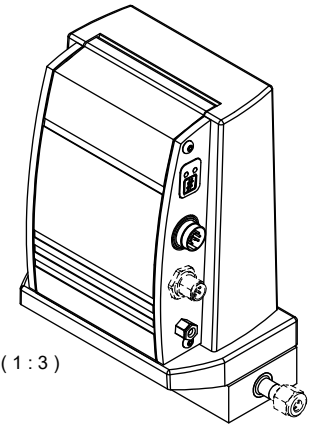
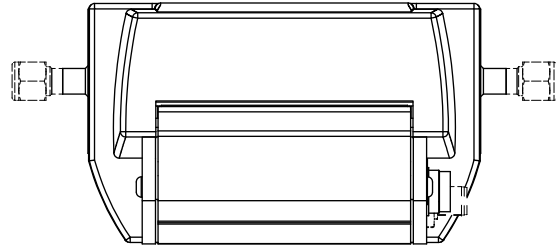
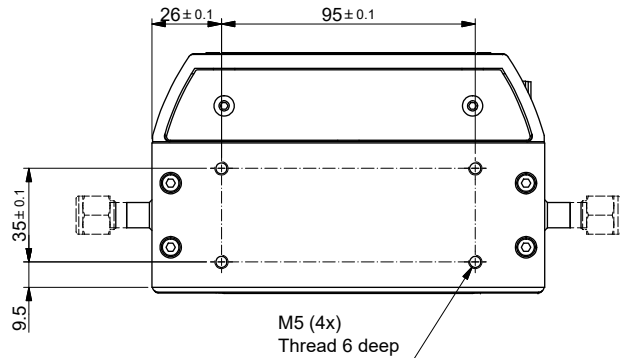
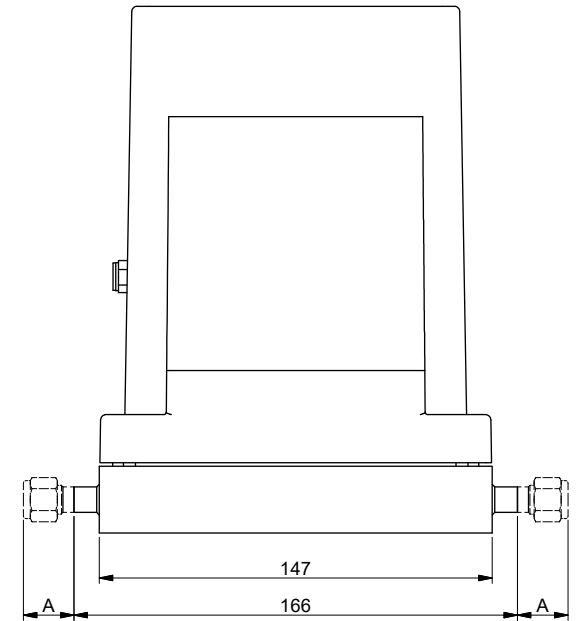
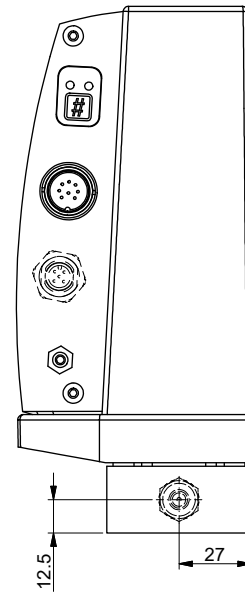
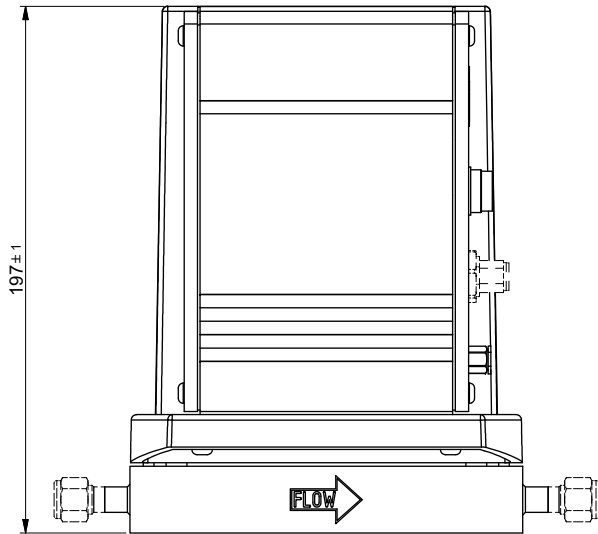
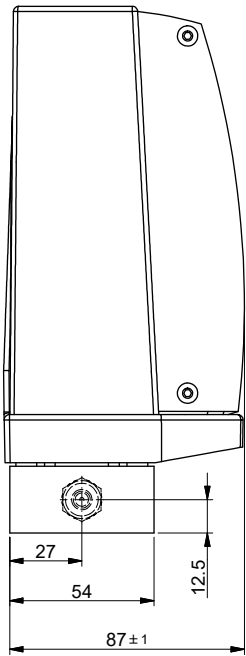


(1:3)




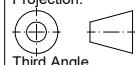
(1:3)



Check document 7.05.672 for dimension A.  
Dimensions subject to change without notice.

These dimensions are for reference only and subject to change without notice.

Tolerances ± 0.2 unless otherwise mentioned

Title: <b>Dimensional drawing</b> <b>M5X ATEX CAT3 CORI-FLOW</b>		Drawn by: J.H. Date: 07-03-2001	Revision Description: Update drawing.	
 www.BRONKHORST.COM		Rev. by: M.H. Date: 06-05-2022	Scale: 1:2 <b>A3</b>	
		Checked: F.L. Date: 06-05-2022		
Projection: Third Angle 		Drawing no.: <b>7.05.455</b>		Rev: <b>M</b>
Dimensions: Metric (mm)		Page: 1 - 1		