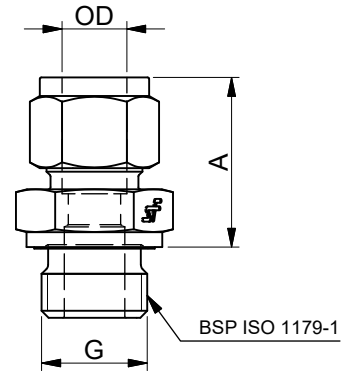


Dimensions adapters BSP Parallel Thread ISO 1179-1

Compression type		G1/8"	G1/4"	G1/2"	G1"
		A	A	A	A
Adapter 3mm	OD	25.3	26.1		
Adapter 6mm	OD	24.5	26.2	30.5	
Adapter 8mm	OD		29.3	33.6	
Adapter 10mm	OD		28	32	
Adapter 12mm	OD		31.1	34.5	36.4
Adapter 16mm	OD			34.6	
Adapter 20mm	OD			36.6	
Adapter 25mm	OD			41.8	42.1
Adapter 1/16"	OD	21			
Adapter 1/8"	OD	25.3	26.1	29.1	
Adapter 1/4"	OD	25	25.6	30.7	
Adapter 3/8"	OD		29.9	30.7	
Adapter 1/2"	OD		30.9	33.2	36.4
Adapter 3/4"	OD			34.8	
Adapter 1"	OD			41.6	41.7

BSP Parallel thread
(ISO 1179-1)

Compression type



*) Dimension A is typical finger-tight.

Face-seal		G1/8"	G1/4"	G1/2"	G1"
		A	A	A	A
Adapter 1/4"	OD		22.7		

BSP Parallel thread
(ISO 1179-1)

Face-seal

